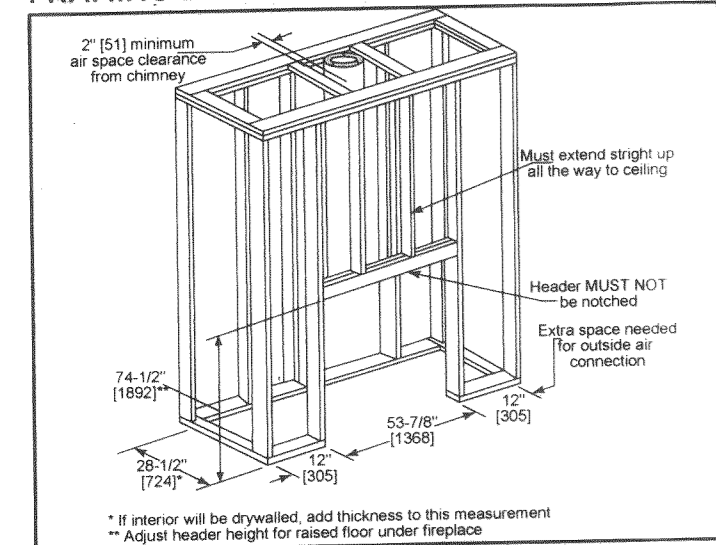
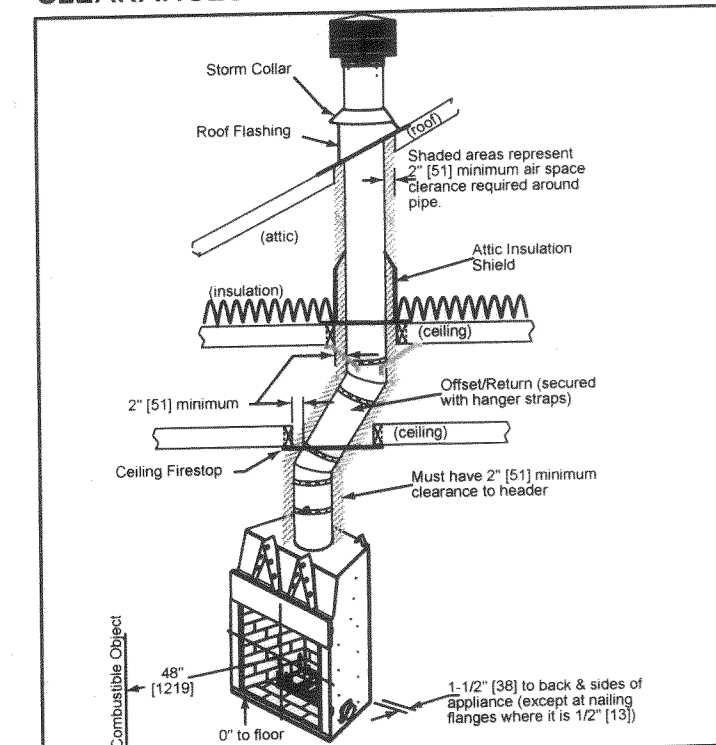


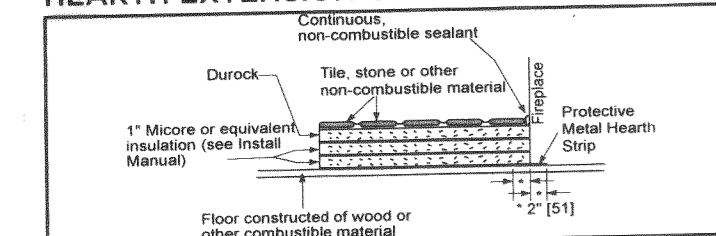
FRAMING DIMENSIONS



CLEARANCES TO COMBUSTIBLES



HEARTH EXTENSION CONSTRUCTION

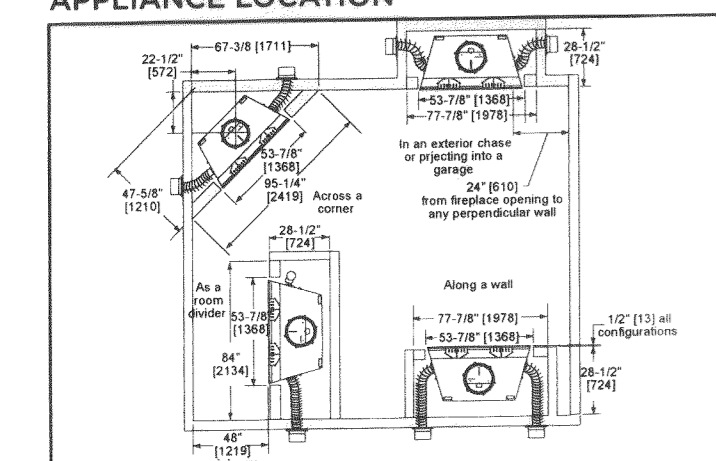


PRODUCT LISTING CODES
 US UL 127
 Product information provided is not complete and is subject to change without notice. Product installation must adhere strictly to instructions accompanying product to avoid risk of fire and potential injury.

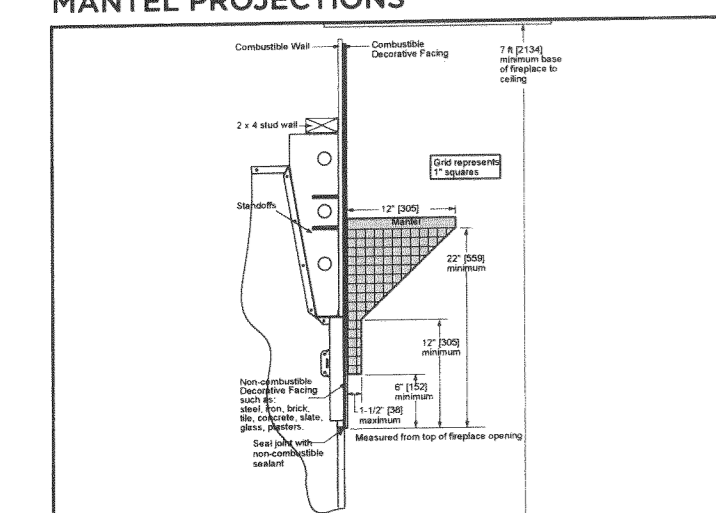
Additional information can be found online at www.heatnglo.com

Heatnglo Technologies Inc.
 Web: www.heatnglo.com
 952-985-6000

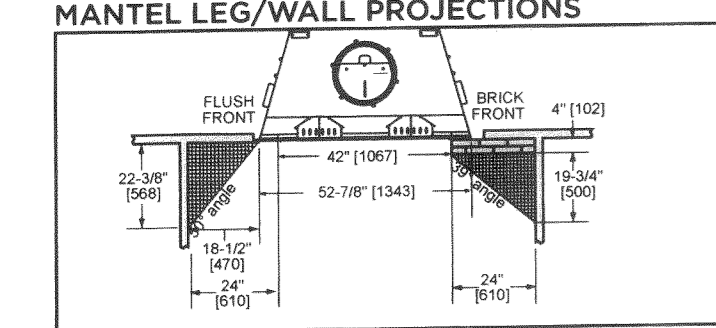
APPLIANCE LOCATION



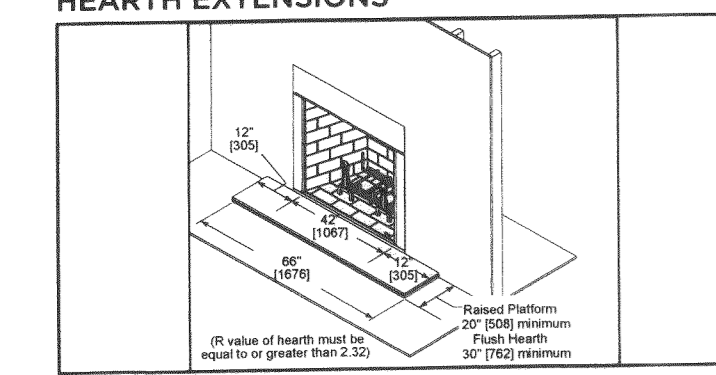
MANTLE PROJECTIONS



MANTLE LEG/WALL PROJECTIONS



HEARTH EXTENSIONS



HEATNGLO
 No one builds a better fire.
 A. Deane of Hearth & H
 Lakeville, MN
 Phone: 888-427-3973

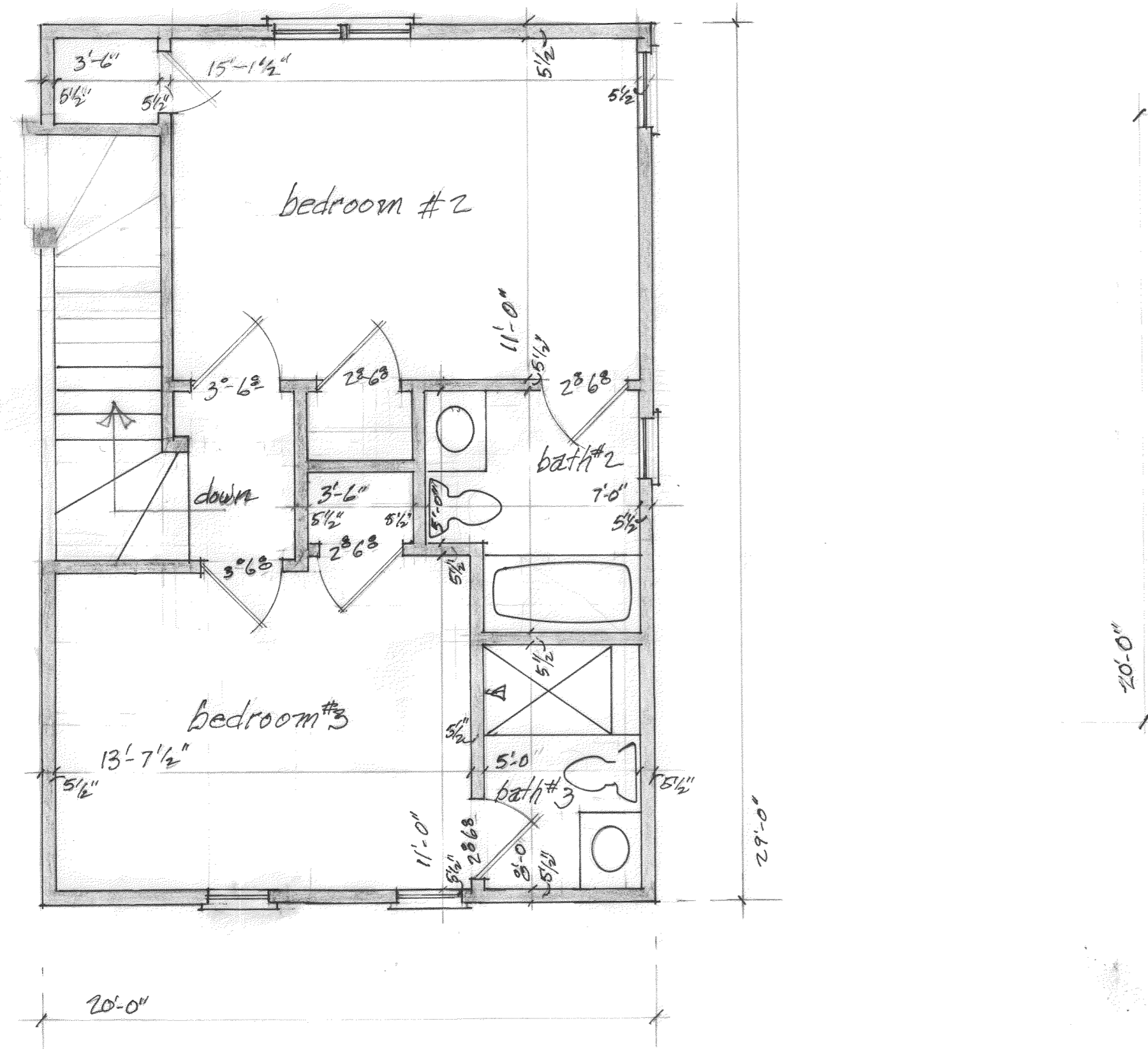
HEATNGLO
 No one builds a better fire.

Please consult the manufacturer's installation manual for all details and requirements before making a final design layout decision.

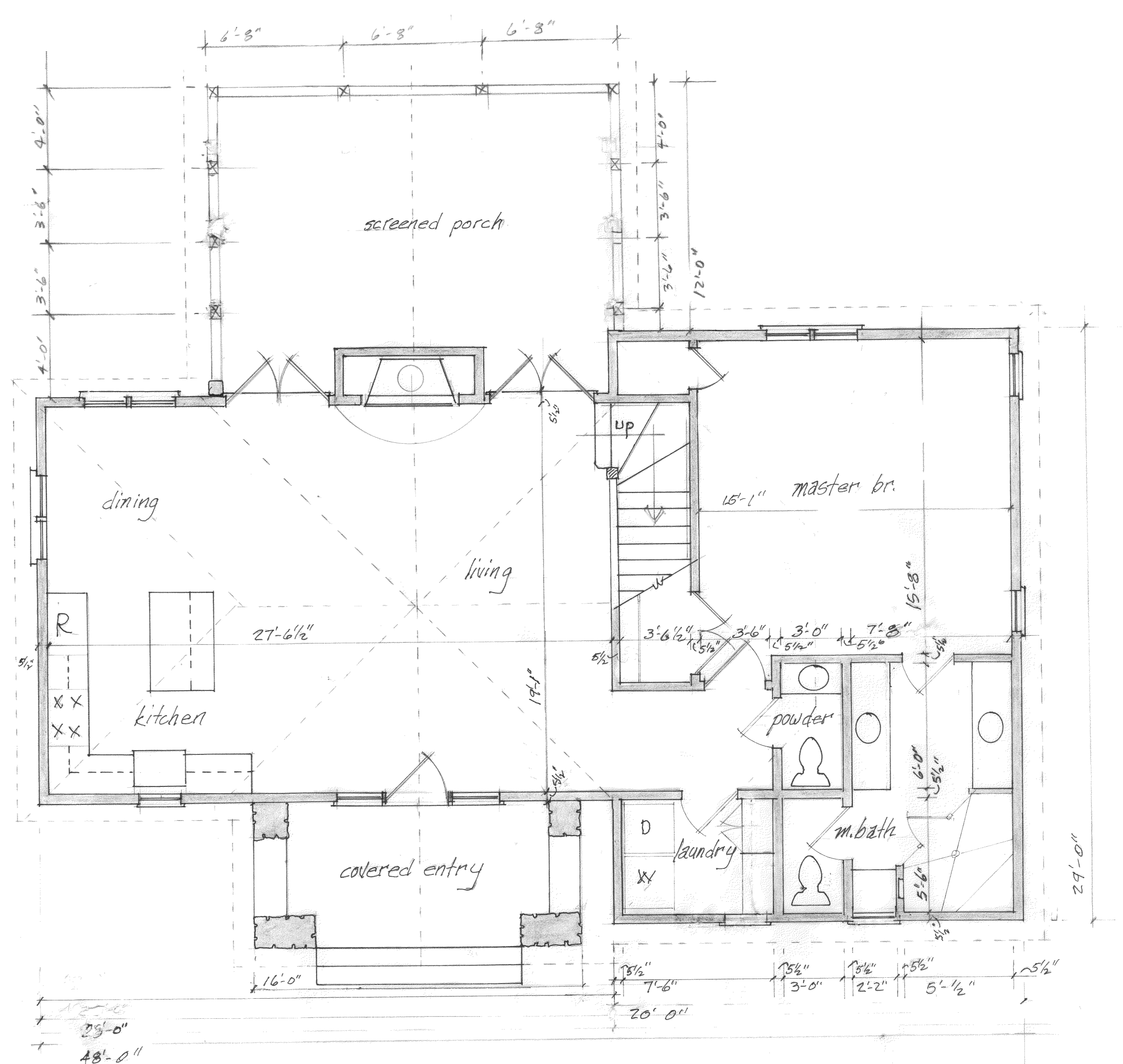
Rutherford
 42" Wood Fireplace

MODEL	FRONT WIDTH		BACK WIDTH		HEIGHT		DEPTH		FIREPLACE OPENING
	Actual	Framing	Actual	Framing	Actual	Framing	Actual	Framing	
RUTHERFORD-42	52-7/8"	53-7/8"	37-1/8"	53-7/8"	74-1/8"	74-1/2"	27-1/2"	28-1/2"	42 x 38"

Additional information can be found online at www.heatnglo.com or www.fireplaces.com



UPPER LEVEL FLOOR PLAN
 scale: 1/4" = 1'-0"



FLOOR PLAN
 scale: 1/4" = 1'-0"

Greene & Associates
 24 Carve Point, PO Box 827, Cashiers, NC 28577
 Phone: 828.743.2968, Fax: 828.743.2969

Dates:
 10.15.13

Bear Lake Reserve
 Mountain Cottage L-738, Phase II Plat Z

Sheet Number
2